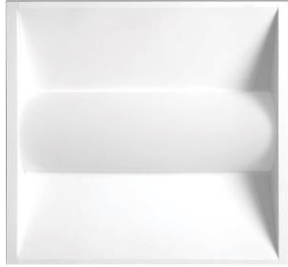
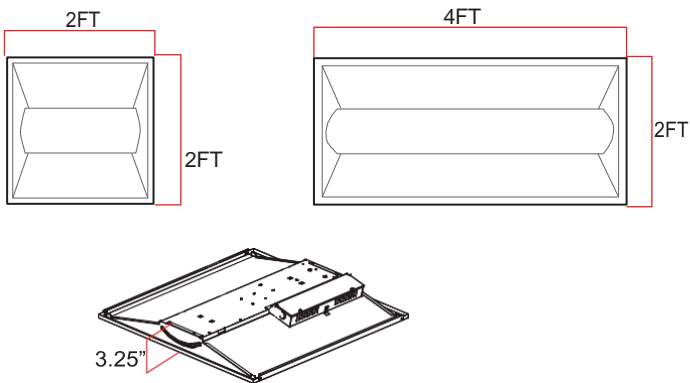


This LED Troffer is designed to replace the standard 2x2 and 2x4 fluorescent troffer. Ultra modern design with and industry leading 130 lumens per watt with sleek panels that are designed to lay in drop ceilings in offices, schools, showrooms, airports, retail locations, and healthcare facilities.



DIMENSIONS



CERTIFICATIONS



FEATURES

- Quick and easy installation
- External UL Listed Class-2 Constant Current Driver
- Multiple mounting options
- Suitable for damp locations
- Minimize labor and recycling costs
- Ease of installation and maintenance
- 0-10V dimming
- 7 Year Manufacturer's Warranty
- Emergency Battery option available

COMMON TECHNICAL DATA

Color Temperature	4000K
Beam Angle	120 Degrees
CRI	> 80
Operation Temperature	-30°C to 40°C
Efficiency	More than 130 LPW
Input Voltage	120-277VAC
Input Frequency	50/60Hz
Power Factor	More than 0.99
Rated Life	100,000 hours
LED Type	SMD 2835
Housing	Aluminum
Dimming	1-10V



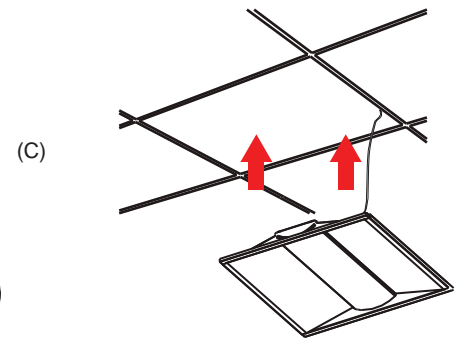
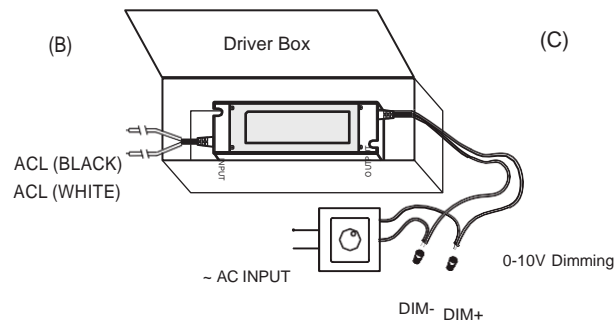
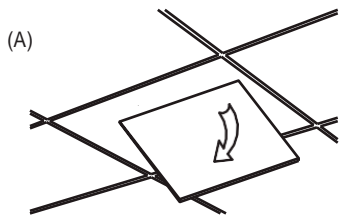
PRODUCT SPECIFICATION

Product Number	Length(FT)	Wattage	Color	Lumens	Dimmable	Voltage
TROJ-22-25W- 4K	2'x2'	25W	4000K	3681	1-10V	AC120-277V
TROJ-24-40W-4K-D	2'x4'	40W	4000K	5000	1-10V	AC120-277V
TROJ-24-42W-4K-D	2'x4'	42W	4000K	5577	1-10V	AC120-277V

INSTALLATION INSTRUCTIONS

Retrofit Procedure:

1. Turn OFF power to the fixture at the breaker panel before installation.
2. Open the diffuser from the light fixture.
3. Remove the fluorescent tubes and dispose of these properly as they may contain mercury.
4. Remove the ballast cover and disconnect host fixture ballast from main.
5. Remove the fixture (A).
6. Open Driver box and connect AC wires and dimming wires (B).
7. Secure close Driver box and lay-in troffer into the ceiling (C).
8. Switch ON power to the fixture at the breaker panel



CAUTION

- Risk of fire- do not install this lamp in a pre-heated luminaire.
- Risk of electric shock- make installation with gloves.
- Access above ceiling required. DO NOT cover fixture with insulation liner or similar material.
- These lamps are to be used with a light dimmer.
- If the lamp or luminaire exhibits undesirable operation (i.e. buzzing, flickering, etc.), immediately turn off power and remove the lamp from luminaire and contact manufacturer.
- Do not make mass installation before sample testing.